

**ECOFLEX**

## Carbon Fibre Chamber Doctor Blade Systems



**Improve the  
performance of your  
flexo presses and  
gravure coaters**

# ECOFLEX

## Carbon Fibre Chamber Doctor Blade Systems



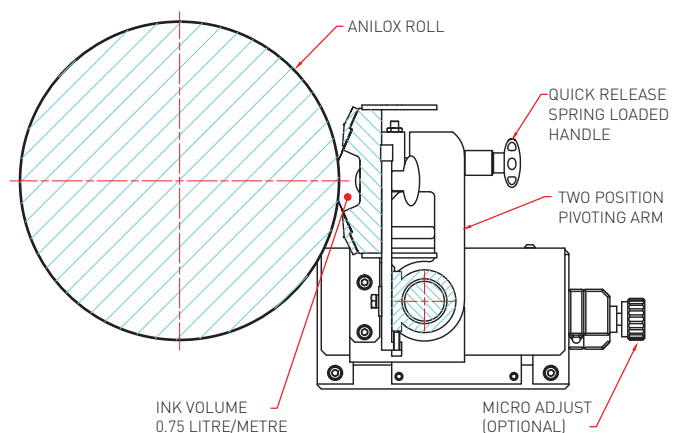
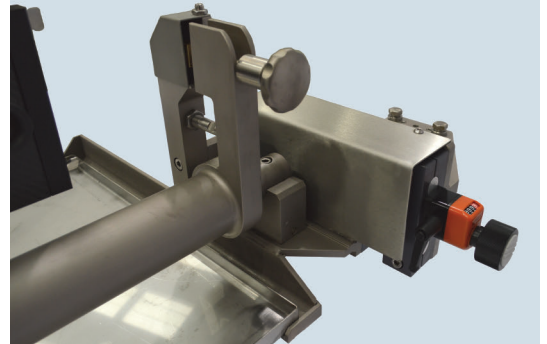
With stiffness and rigidity 300% greater than aluminium, the superior construction of carbon fibre ensures consistent doctoring and improved lay down. The unique Delpro blade sandwiches unidirectional fibres within outer cross-weave layers to provide an optimum combination; the cross weave fibres being more aesthetic and bringing integrity to the outer layers with the unidirectional fibres providing essential, consistent rigidity across the length of the cylinder where it is needed most.

### FEATURES

- Ultra lightweight, one operator easily lifting chambers in and out of the press without lifting equipment.
- Complete tool-less blade and seal changeover ensures minimal downtime keeping make-ready times to an absolute minimum.
- Carbon fibre is free from any corrosion with water based or solvent inks and coating.
- Simple two-position auto comp mounting system automatically compensates for blade wear and ensures precision blade to anilox roll positioning on every set up. Micrometer adjust system also available.
- Small volume of enclosed chamber compared with open tray ensures significant reduction in ink and coating use.

### SPECIFICATION

- Web width range : 150 to 4000mm
- Continuous web or sheet fed machinery
- Solvent, water based or UV cured inks, coatings and varnishes
- Retro fit to any flexo printer, gravure coater or offset lacquering station
- Custom designs available for specific applications



# Delpro

**Delpro Limited**

Peakdale Road, Brookfield Industrial Estate, Glossop, Derbyshire SK13 6XE, UK

Tel: +44 (0)1457 862776 Fax: +44 (0)1457 862433 Email: sales@delpro.co.uk

[www.delpro.co.uk](http://www.delpro.co.uk)