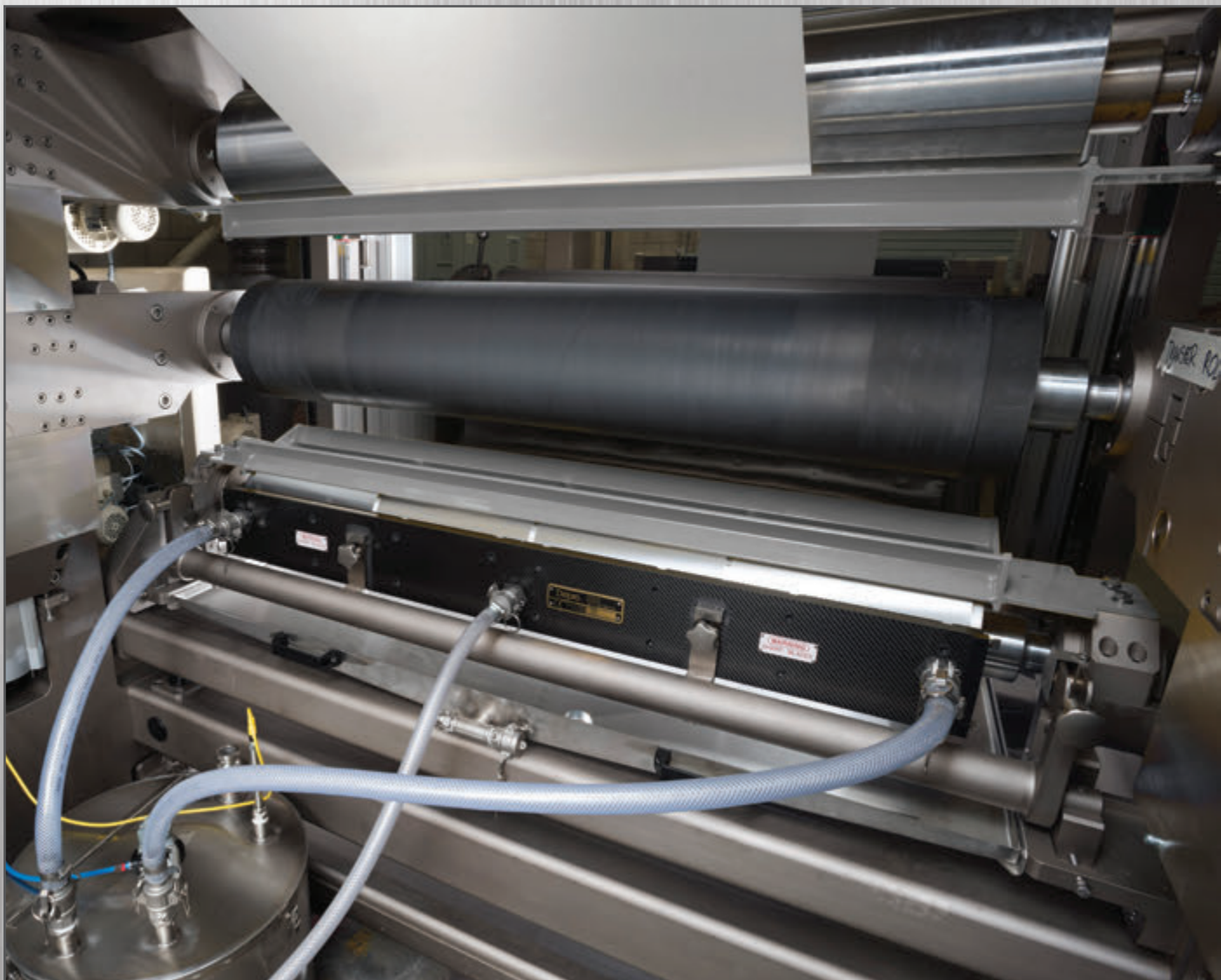


Gravure Coater

High quality coatings and versatile design



Gravure Coater



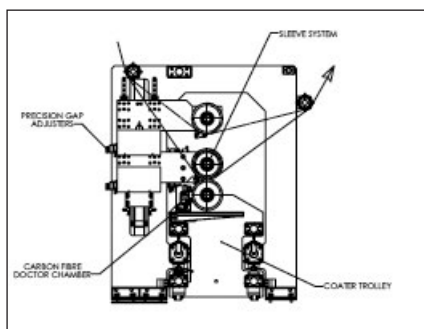
Delpo gravure coaters present the latest coating technology in highly versatile and cost-effective form. The multi coater design enables reverse, direct or offset gravure coating in one head and with different specification of gravure roll engraving providing a wide range of coatweights.

FEATURES

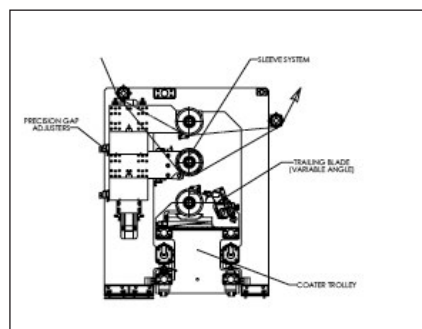
- Pneumatically loaded offset and backing roll with precision, pre-loaded backlash-free gap adjustment.
- Interchangeable trolley system for make-ready off machine, hydraulically raised and locked in position.
- Sleeve system rubber roll for ease of change of coating width.
- Coating applied via carbon fibre chamber doctor blade with enclosed mix circulation system.
- Optional oscillating trailing blade for some reverse gravure applications.
- Independent drive to all rolls from separately mounted drive frame.

SPECIFICATION

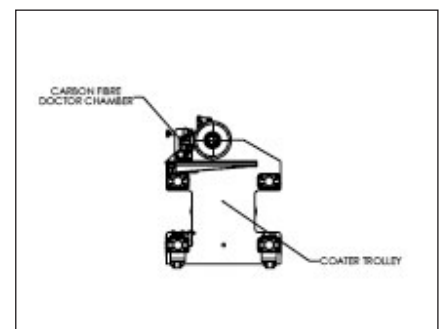
Wet coat weight range:	1-80gsm (off-set to reverse gravure with prepared cylinders)
Web speed range:	5-400m/min
Coating quality:	Excellent throughout range with due attention to roll speeds
Substrates:	Films and foil 5-100µ; Paper 25-250gsm
Coating:	Aqueous, solvent or 100% solids: 10-2000cps



DIRECT GRAVURE MODE



REVERSE GRAVURE MODE



DIRECT GRAVURE MODE

Delpro

Delpro Limited

Peakdale Road, Brookfield Industrial Estate, Glossop, Derbyshire SK13 6XE, UK
Tel: +44 (0)1457 862776 Fax: +44 (0)1457 862433 Email: sales@delpro.co.uk

www.delpro.co.uk