

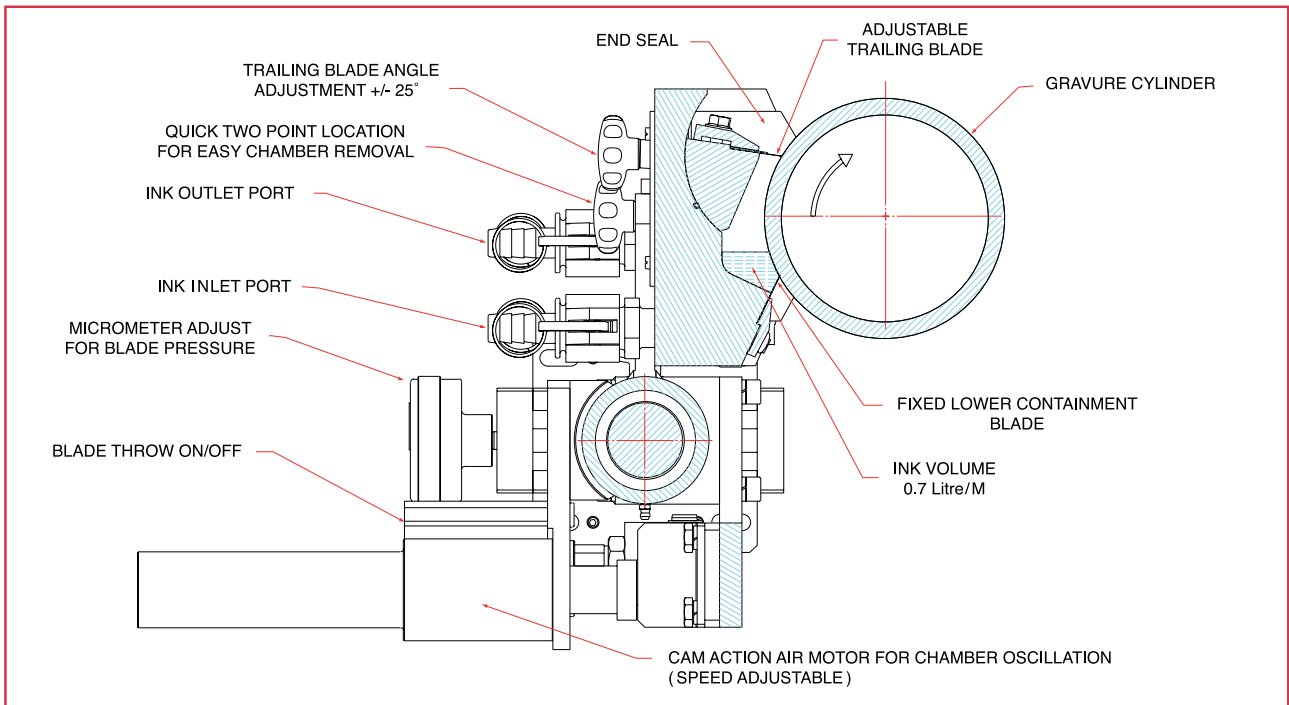
ECOGRAV

THE FIRST ADJUSTABLE TRAILING BLADE DOCTOR CHAMBER

Cut ink volume, cut ink wastage and save money.

At last, your high quality gravure printing can now benefit from a fully adjustable, oscillating enclosed doctor chamber, made from corrosion free, lightweight carbon fibre.

Cleaner, cheaper and faster, high quality printing, with reduced ink wastage and a safer working environment.

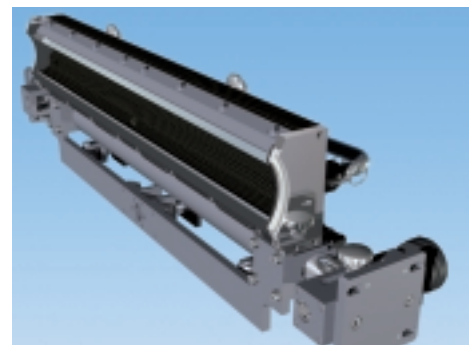


Features

- Fully enclosed chamber made from lightweight, corrosion free carbon fibre
- Minimum ink wastage with chamber volume of only 0.7 litre/metre of width
- Fully adjustable trailing blade angle $\pm 25^\circ$, even while printing
- Micrometer adjustment of blade position to gravure roll accommodates change in gravure roll repeat length
- Variable speed cam action air motor provides oscillation of chamber, to prevent preferential wear and build up of particles.
- Two point location of chamber on mounting system for easy chamber removal and guaranteed repeatable replacement
- Pneumatic blade throw on/off
- Enclosed chamber means reduced solvent evaporation and a cleaner, safer working environment

Specification

Web width	300 to 3000mm
Blade angles	Adjustable $\pm 25^\circ$ from horizontal
Ink volume	0.7 litres per 1 metre of width
Gravure roll range	400 to 1000mm repeat length
Suitable for solvent, water based and UV cured inks and coatings	



Delpro

Peakdale Road • Brookfield Industrial Estate • Glossop • Derbyshire • SK13 6XE England
 Tel: +44 (0)1457 862776 Fax: +44 (0)1457 862433 email: sales@delpro.co.uk Web: www.delpro.co.uk

COATERS • LAMINATORS • DRYERS • CONDITIONERS • FULLY AUTOMATED REEL STANDS
ZERO SPEED SLICERS • FLEXO PRINTERS • CUSTOM DESIGNED MACHINE REBUILDS & RETROFITS
TURN-KEY COATING & LAMINATING PRODUCTION LINES