



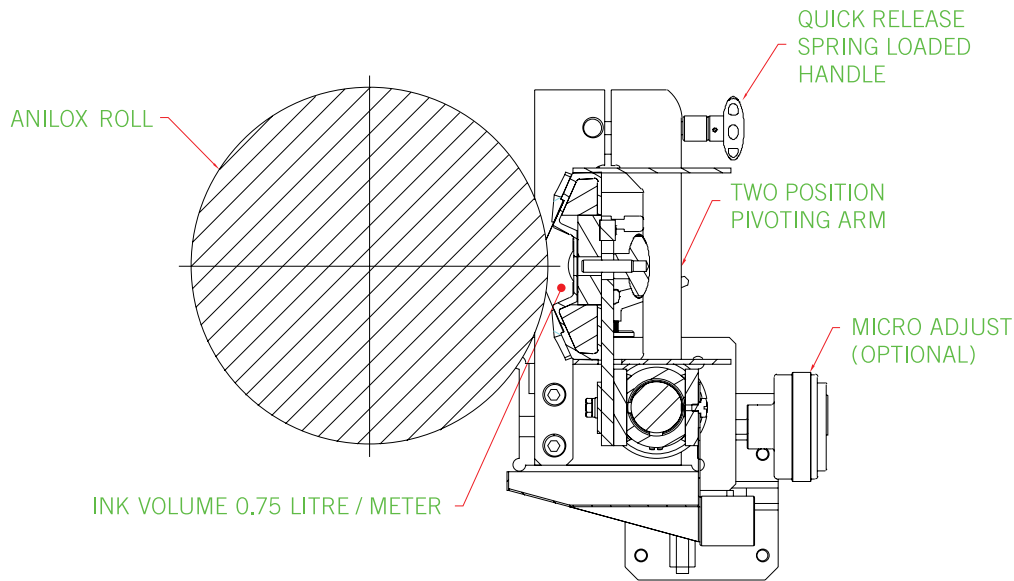
ECOFLEX

CARBON FIBRE CHAMBER DOCTOR BLADE SYSTEMS

Improve the performance of your flexo presses and gravure coaters with Delpro's carbon fibre chamber doctor blade.

Superior construction, ultra lightweight, rapid blade and seal change, anti-corrosion guarantee and minimal ink volume; Delpro's design expertise and industry knowledge has ensured that the world's first carbon fibre chamber doctor chamber is still the best.

Cross section of chamber and mounting system



Benefits

Superior Construction - Carbon Fibre has a stiffness and rigidity 300% greater than aluminium which ensures consistent doctoring and improved lay down.

Ultra lightweight - Carbon Fibre is 70% lighter than aluminium thus a 1200mm chamber weighs only 6.5kg - one operator can easily lift chambers in and out of the press without lifting equipment.

Minimum downtime - Complete tool-less blade and seal changeover ensures downtime and make ready times are kept to an absolute minimum.

Corrosion Free - Carbon Fibre does not suffer from any corrosion with water based or solvent inks and coating.

Auto Comp mounting system - Simple two position mounting system automatically compensates for blade wear and ensures precision blade to anilox roll positioning on every set up. Micrometer adjust system also available.

Ink and coating savings - Small volume of enclosed chamber compared with open tray ensures significant reduction in ink and coating use.

Applications

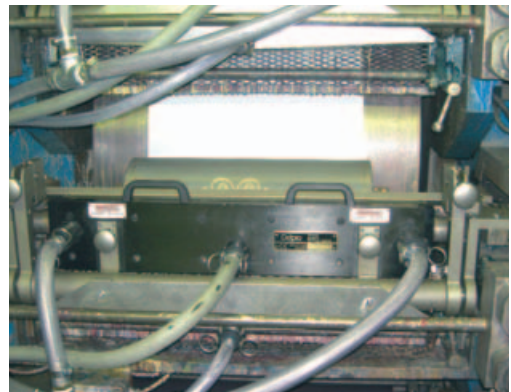
Web widths from 150 to 4000mm

Continuous web or sheet fed machinery

Solvent, water based or UV cured inks, coatings and varnishes

Retro fit to any flexo printer, gravure coater or offset laquering station

Custom designs available for specific applications



Delpro

Peakdale Road • Brookfield Industrial Estate • Glossop • Derbyshire • SK13 6XE England
Tel: +44 (0)1457 862776 Fax: +44 (0)1457 862433 email: sales@delpro.co.uk Web: www.delpro.co.uk

**COATERS • LAMINATORS • DRYERS • CONDITIONERS • FULLY AUTOMATED REEL STANDS
ZERO SPEED SLICERS • FLEXO PRINTERS • CUSTOM DESIGNED MACHINE REBUILDS & RETROFITS
TURN-KEY COATING & LAMINATING PRODUCTION LINES**