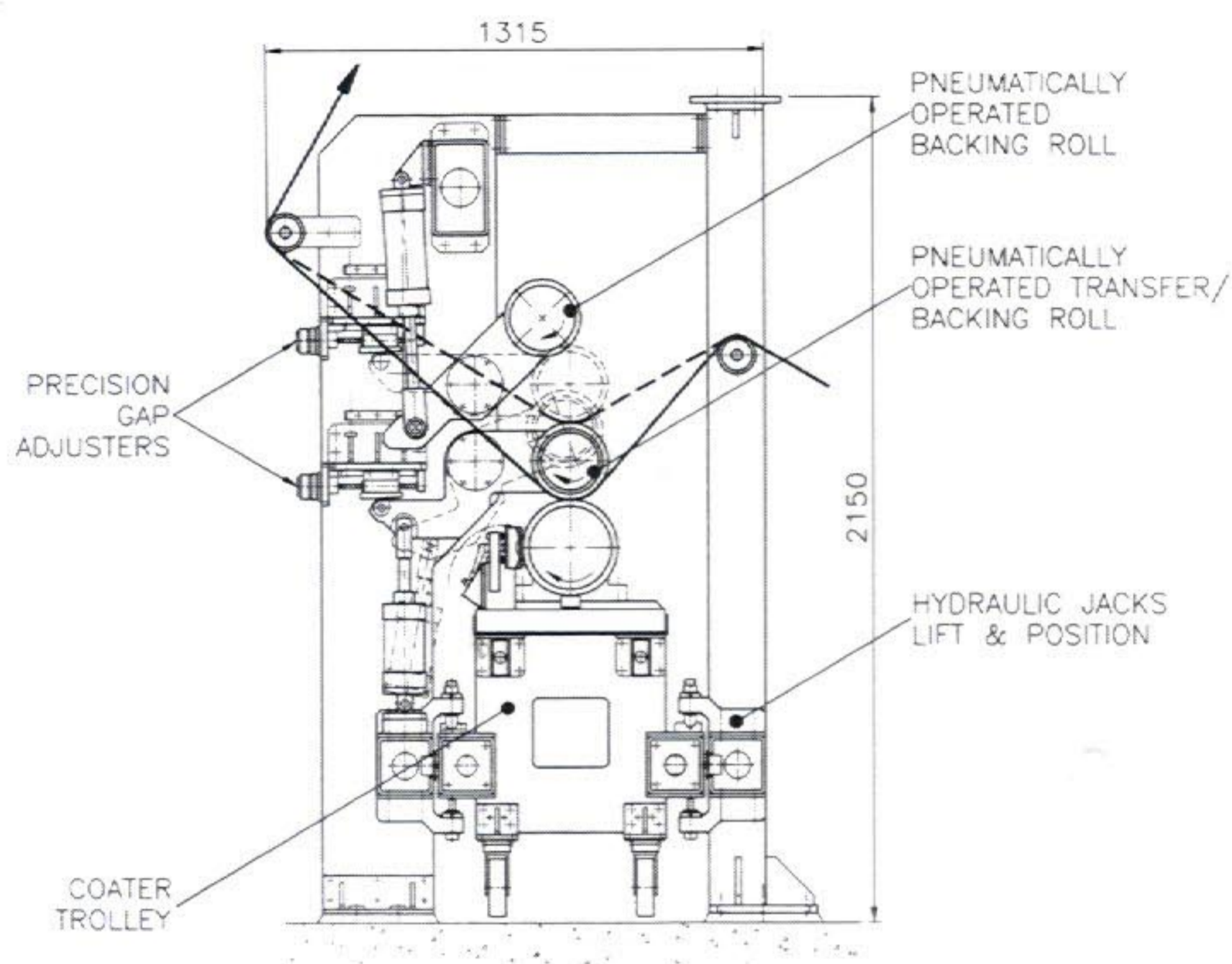
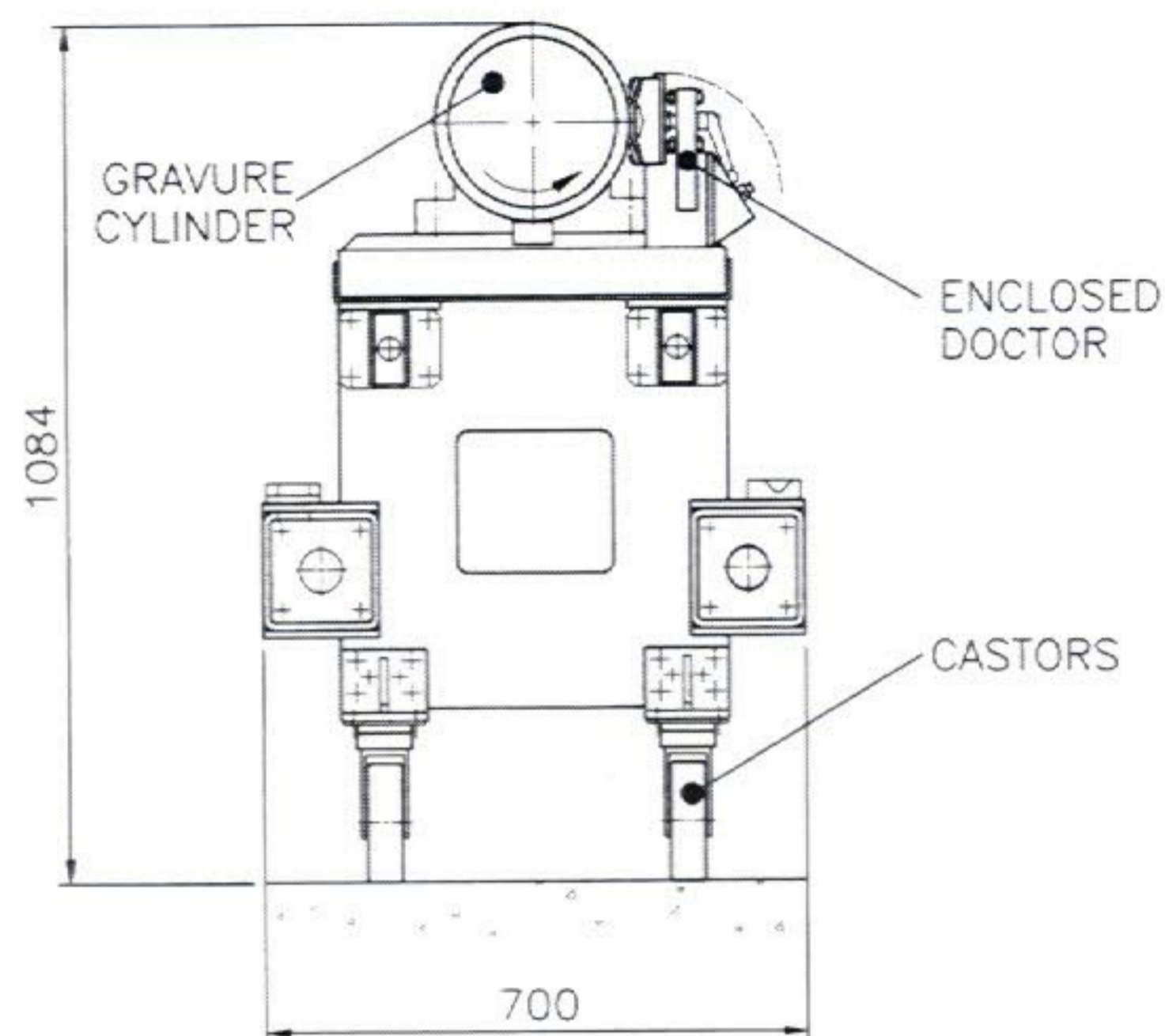


## DELPRO COATERS - MULTI-PURPOSE GRAVURE COATERS



MULTI-PURPOSE COATER REVERSE GRAVURE MODE



COATING TROLLEY FORWARD MODE

### Construction & Function

**Delpro** multi-purpose gravure coaters present the latest coating and control technology in highly versatile and cost effective form. Incorporated in one stand-alone, self-powered coating head are facilities for direct gravure, reserve gravure, offset gravure and flexographic coating and printing. Patterned coatings can also be produced by custom etched cylinders, by cut-back off-set rolls or by flexo patterns. All this combined with a coating trolley system enabling off-machine cleaning, colour or grade change and rubber sleeves for the middle soft roll, offers a system of outstanding productivity. Short runs and 'just-in-Time' schedules become economically viable. The construction is based upon a solid, machined 60mm frame, supported on two rectangular box section uprights and two foundation plates to form a highly rigid structure able, if required, to be mounted independently and free from vibrations transmitted from the main machine frame. The steel impression roll and intermediate, rubber sleeved roll, are mounted upon the main frame and pneumatically loaded against stops with precision back-lash free adjusters with a discrimination of less than  $1\mu$ . **Versatile, precise & cost effective.**

### Features

- Each roll independently driven from separately mounted motor frame; flame-proof if required
- AC vector drives to gravure and intermediate rubber rolls giving 1000:1 smooth, cog-free speed control
- Tendency drive to steel impression roll to support films and light-weight papers.
- Ink or coating mix applied from enclosed doctor blade chamber within enclosed circulating system.
- When running flexo, off-set or reverse gravure enclosed doctor blade is moved to prepared position on the opposite side of the gravure or AnaloX roll which is electrically reversed.
- Interchangeable coating trolleys prepared off-machine are wheeled into position and hydraulically raised and locked rigidly in place

### Specification for "Delpro" Multi-purpose coaters

#### SPECIFICATION

|                       |   |
|-----------------------|---|
| Wet Coat Weight Range | 1 - 80gsm (off-set to reverse gravure with prepared cylinders).                             |
| Web Speed Range       | Generally 5-300m/min; higher by special design  |
| Coating quality       | - excellent, throughout range with due attention to roll speeds                             |
| Substrates            | - films and foils 5-100 $\mu$ ; paper 25-250gsm. Coating mix aqueous or solvent; 10-2000cps |

Performance, illustrations and descriptions are typical, not specific, subject to change without notice as a result of continuing development.

# Delpro

Peakdale Road, Brookfield Industrial Estate, Glossop, Derbyshire, SK13 6XE England. Telephone: 01457 862776 Fax: 01457 862433.  
www.delpro.co.uk e-mail: sales@delpro.co.uk

**COATERS • LAMINATORS • DRYERS • CONDITIONERS**

**FULLY AUTOMATED REEL STANDS • ZERO SPEED SPLICERS**

**LIQUID HANDLING SYSTEMS • CUSTOM DESIGNED MACHINE REBUILDS & RETROFITS**

**TURN-KEY COATING & LAMINATING PRODUCTION LINES.**